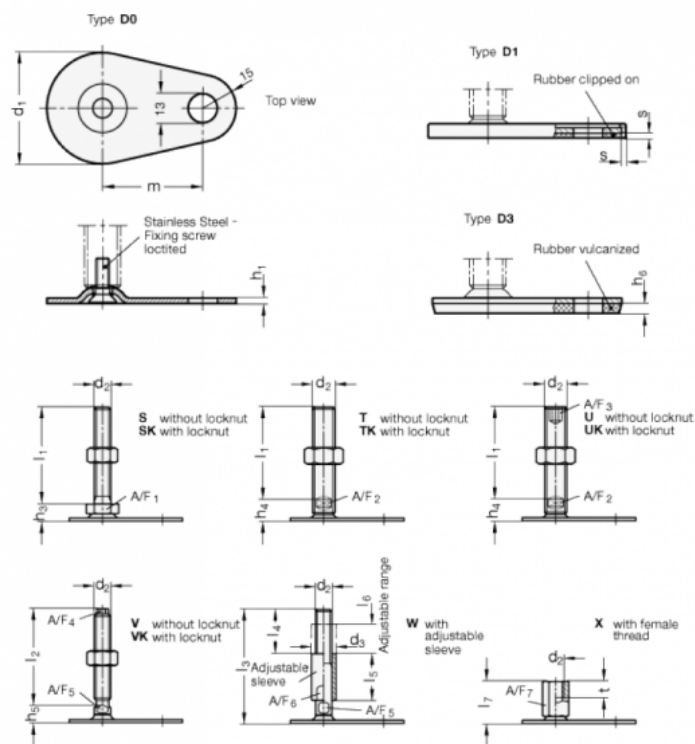


Data Sheet



Article number: 204360M825D3X
 Description: E+G levelling foot
 GN 43-60-M8-25-D3-X
 Note: X With female thread, External hexagon

Measures



A/F7 = 14	t = 8
d1 = 60	
d2 = M8	
h1 = 2.5	
h6 = 4.5	
l7 = 25	
m = 70	
s =	